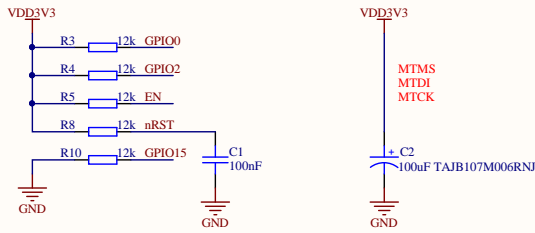


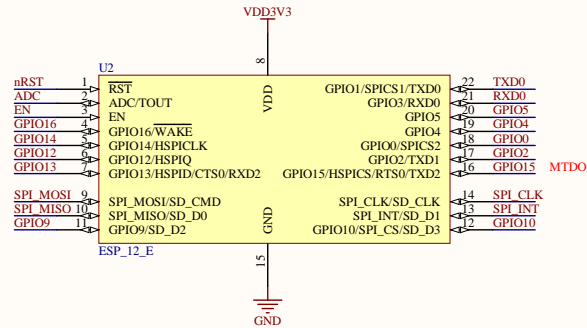
Nodemcu v3-CH340 sch

esp8266

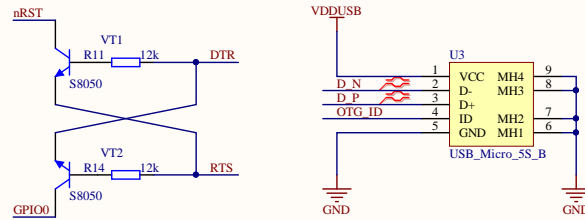
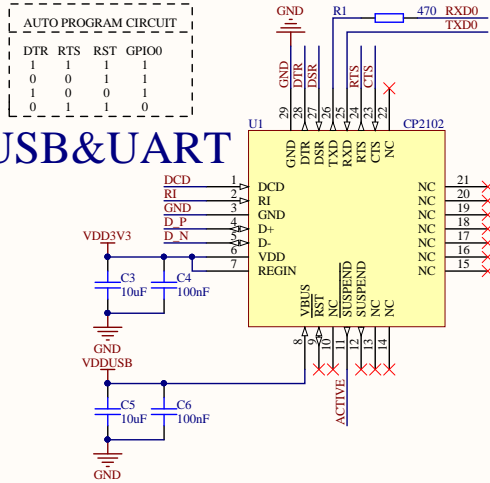


MATTERS NEEDING ATTENTION

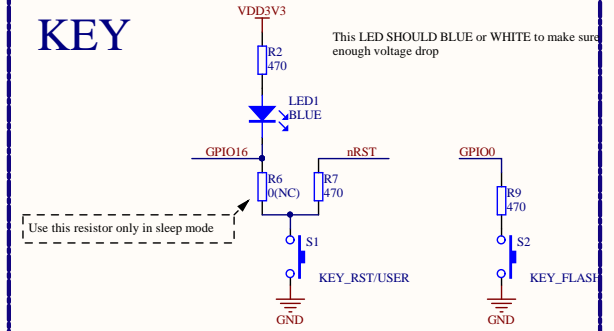
On every boot/reset/wakeup, GPIO15 MUST keep LOW, GPIO2 MUST keep HIGH. GPIO0 HIGH -> RUN MODE, LOW -> FLASH MODE. When you need to use the sleep mode, GPIO16 and RST should be connected, and GPIO16 will output LOW to reset the system at the time of wakeup.



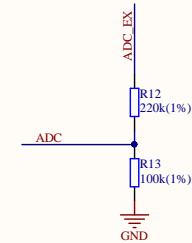
USB&UART



KEY

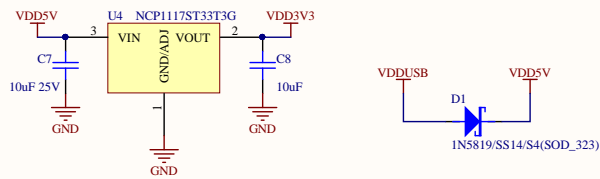


ADC



Use 1% resistor here.

POWER



IO-PIN

| J1 | | J2 | |
|--------|----------|-------|--------------------------|
| ADC_EX | A0 | PIN1 | 1 D0 GPIO16 |
| ADC | | PIN2 | 2 D1 GPIO5 |
| VDDUSB | | PIN3 | 3 D2 GPIO4 |
| SD D3 | GPIO10 | PIN4 | 4 D3 GPIO0 |
| SD D2 | GPIO9 | PIN5 | 5 D4 GPIO2 TXD1 |
| SD D1 | SPI_INT | PIN6 | 6 VDD3V3 |
| SD_CMD | SPI_MOSI | PIN7 | 7 GND |
| SD D0 | SPI_MISO | PIN8 | 8 D5 GPIO14 HSPICLK |
| SD_CLK | SPI_CLK | PIN9 | 9 D6 GPIO12 HSPIQ |
| GND | | PIN10 | 10 D7 GPIO13 RXD2 HSPID |
| VDD3V3 | | PIN11 | 11 D8 GPIO15 TXD2 HSPICS |
| EN | | PIN12 | 12 D9 RXD0 GPIO3 |
| nRST | | PIN13 | 13 D10 TXD0 GPIO1 |
| GND | | PIN14 | 14 GND |
| VIN | | PIN15 | 15 VDD3V3 |

THT_Male_P_1x15 THT_Male_P_1x15

| Title | | |
|-------|---------------------------|----------|
| Size | Number | Revision |
| A3 | | |
| Date: | 2018/9/4 | Sheet of |
| File: | E:\工作文档\Nodemcu V3-340原理图 | 1/1 |