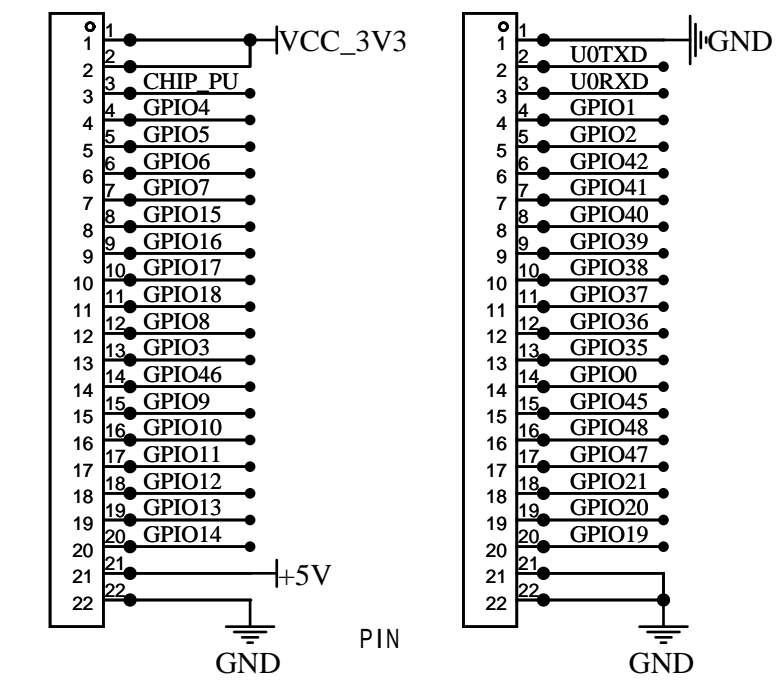
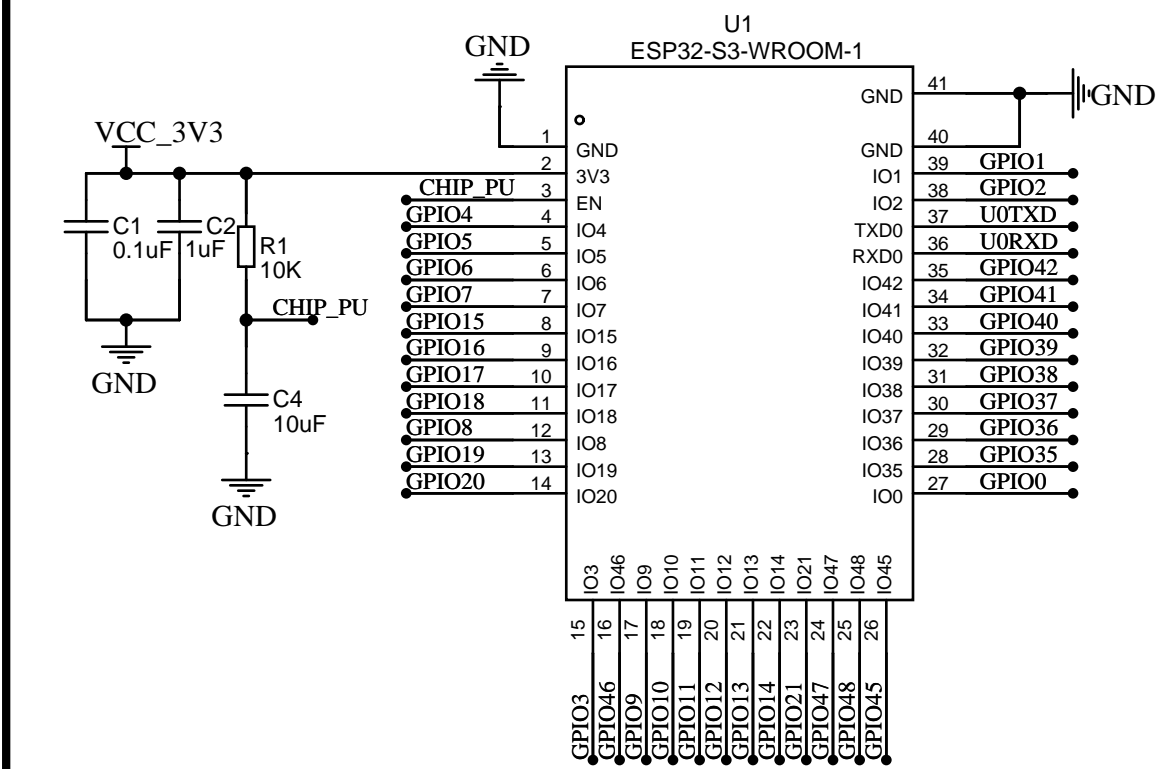
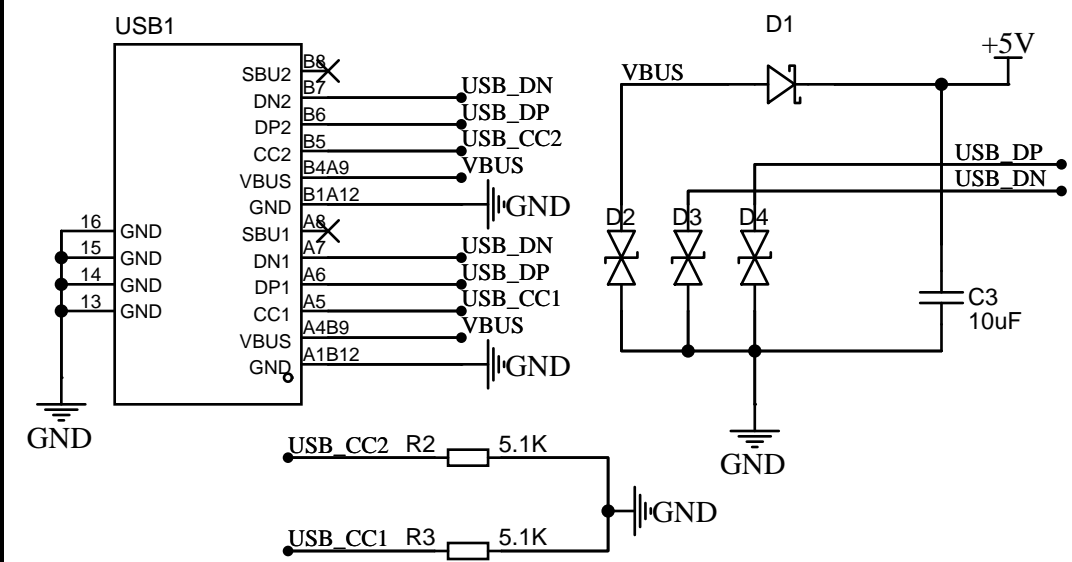
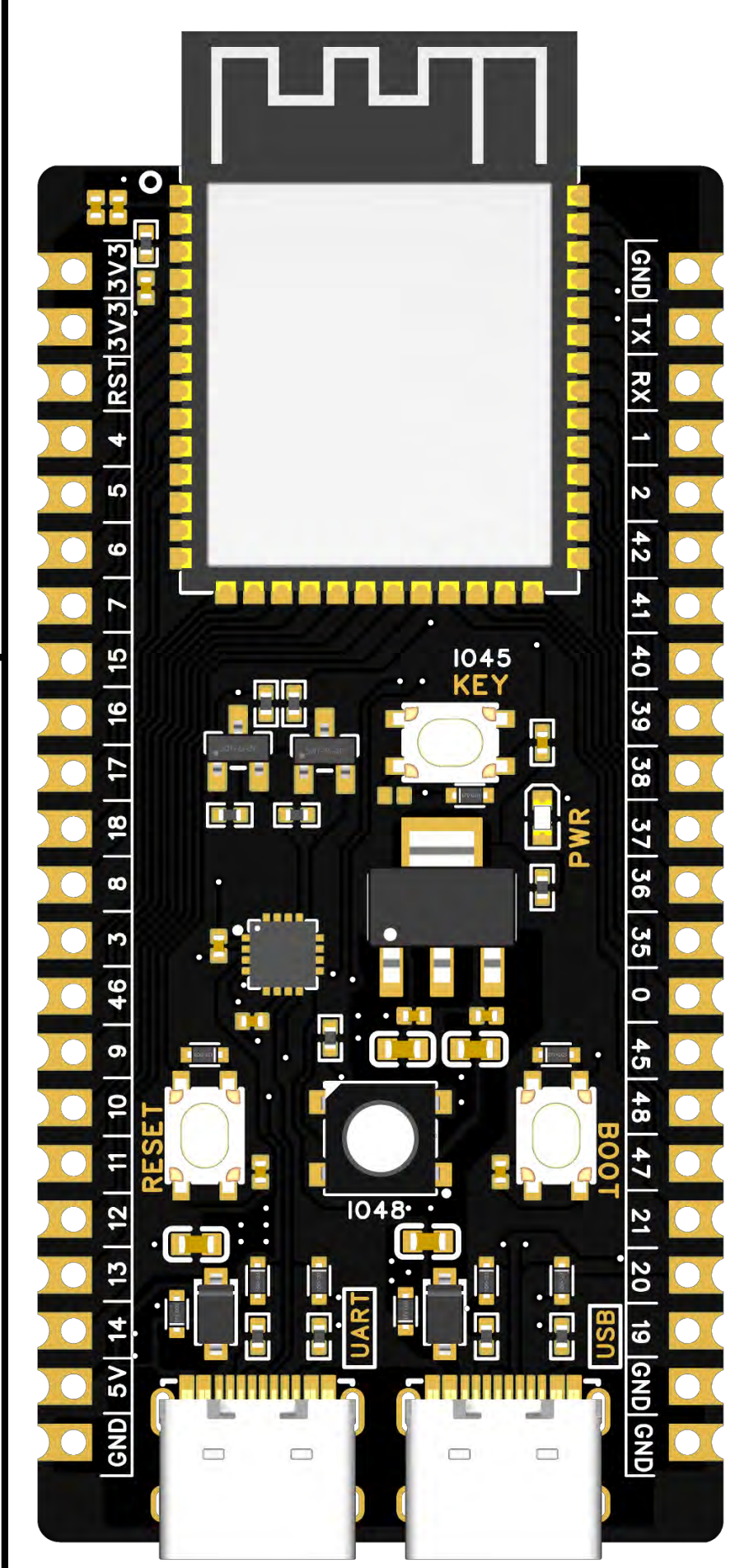
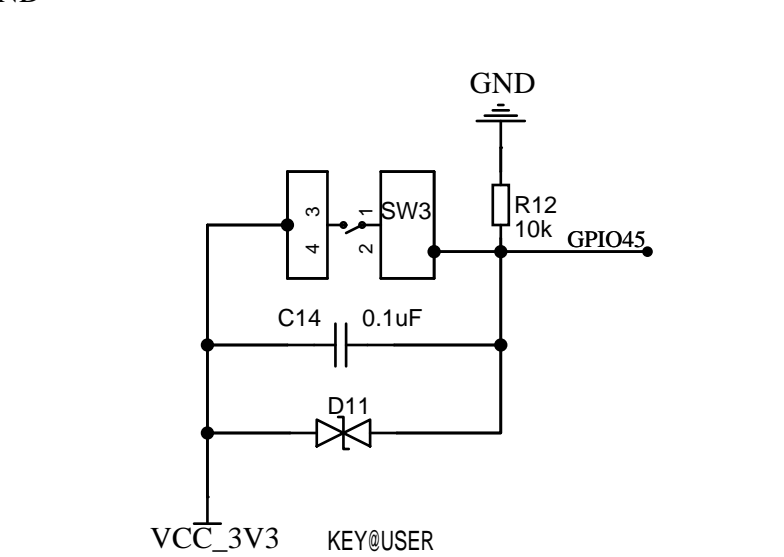
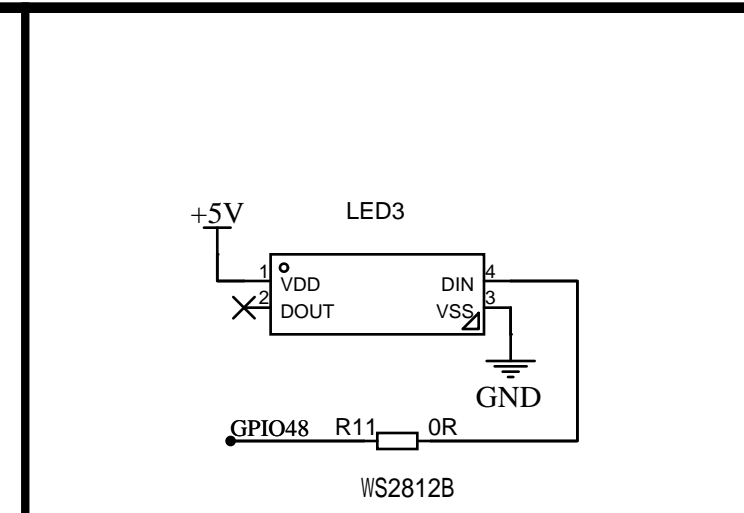
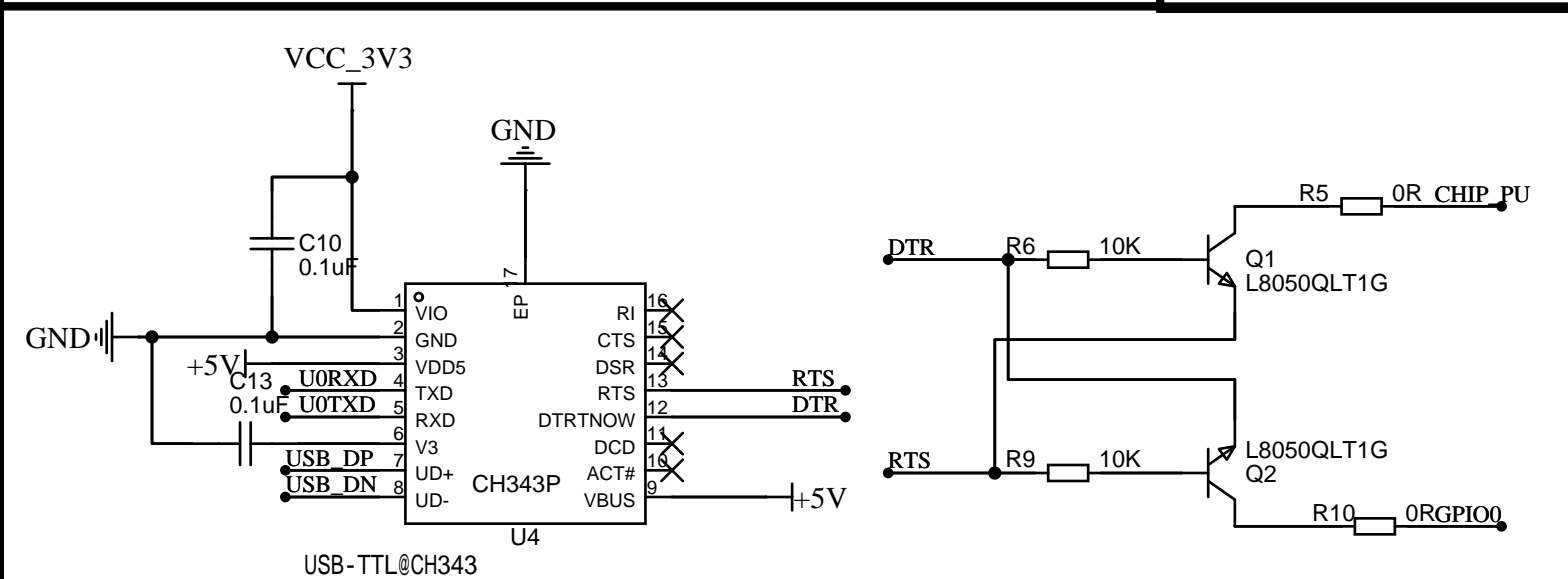
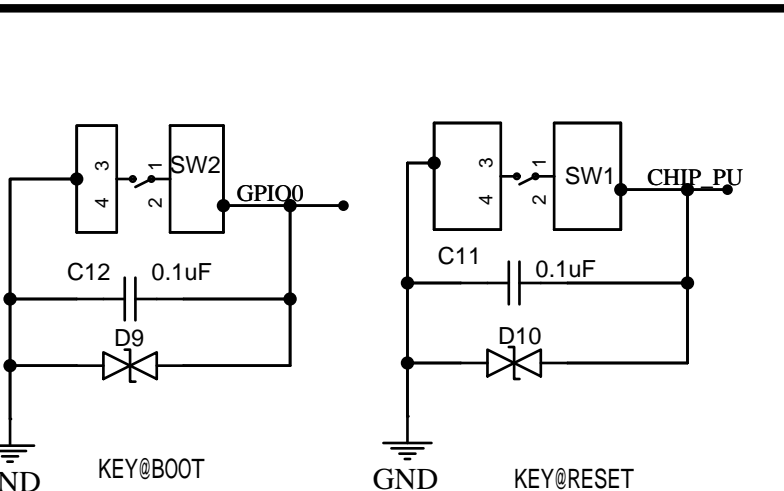
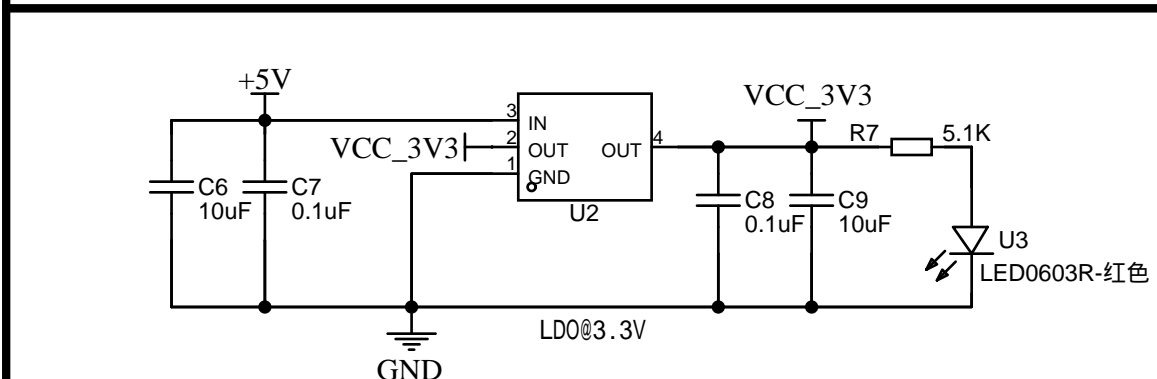
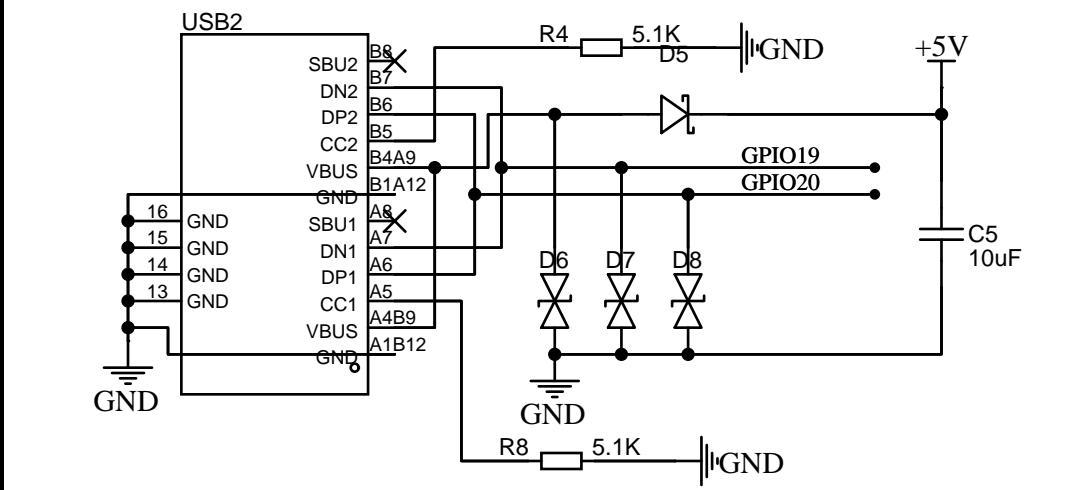


USB to UART



ESP USB:



中文
 S3-勘误表: https://www.espressif.com.cn/sites/default/files/documentation/esp32-s3_errata_cn.pdf
 S3-技术规格书: https://www.espressif.com.cn/sites/default/files/documentation/esp32-s3_datasheet_cn.pdf
 S3-技术参考手册: https://www.espressif.com.cn/sites/default/files/documentation/esp32-s3_technical_reference_manual_cn.pdf
 S3-硬件设计指南: https://www.espressif.com.cn/sites/default/files/documentation/esp32-s3_hardware_design_guidelines_cn.pdf
 English
 S3-Errata: https://www.espressif.com.cn/sites/default/files/documentation/esp32-s3_errata_en.pdf
 S3-Datasheet: https://www.espressif.com.cn/sites/default/files/documentation/esp32-s3_datasheet_en.pdf
 S3-Technical Reference Manual: https://www.espressif.com.cn/sites/default/files/documentation/esp32-s3_technical_reference_manual_en.pdf
 S3-Hardware Design Guidelines: https://www.espressif.com.cn/sites/default/files/documentation/esp32-s3_hardware_design_guidelines_en.pdf

esp-idf: <https://github.com/espressif/esp-idf>
 thonny: <https://thonny.org>
 arduino: <https://github.com/arduino/arduino-ide>

If you have any questions, you can contact WeAct Studio
 QQ群: 146605098
 GitHub: <https://github.com/WeActStudio/WeActStudio.ESP32S3-AorB>
 Gitee: <https://gitee.com/WeActStudio/WeActStudio.ESP32S3-AorB>

